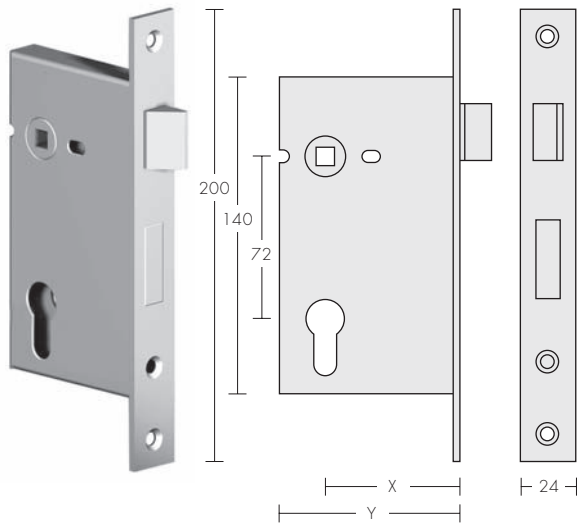


Mortice Locks
1000/1001/1002/1003/1004



Mortice Locks

This series of mortice locks and latches have been designed for standard, narrow stile and rebated doors in a range of backsets. They also feature a 'minimal' lever handle rotation of only 40°.

The 72mm spindle to cylinder barrel centre line allows for a practical separation of lever handle rose and turn escutcheon without the appearance of crowding the components. It also allows for the same length back plate to be used throughout a project for entrance doors, narrow stile doors, internal doors and doors with a privacy function utilising the chant™ Cam Adapter 1250.

All locks have 8mm spindle hubs and are reversible. When ordered they are handed to suit the handing requested with the strike.

When these locks are to be used with unsprung lever handles, specify 'HD' after the lock code number.

Mortice Lock Dimensions

Model:	Backset: X	Case depth: Y	Horizontal fixing centres: Plate furniture only
1000	35	50	38 – 41mm
1001	45	65	38 – 41mm
1002	60	80	38 – 41mm
1003	70	90	38 – 41mm
1004	90	110	38 – 41mm

Lock Strikes for Standard Doors
1005a



Lock Strike Packer
1007a/b



Lock Strikes for Rebated Doors
1008a



1008b



Lock Strikes for Standard Doors 1005a/b

These strikes are handed to avoid compromising the design and installation aesthetics of universal, long lip strikes.

- Full length strike box
- Standard strikes measure 20mm from the lock centreline to the bend of the lip.

Extended Lock Strikes 1006a/b

- Extended 50mm from standard. These strikes can be cut back to suit the door frame. Specify the length required from the lock centreline to the edge of the door frame. The bent lip, 10mm wide, is additional to the width specified.

Strike Packer 1007a – 10mm/1007b – 8.5mm

For aluminium door frames

- Aluminium 10mm or 8.5mm thick x 24mm wide
- Natural anodised finish

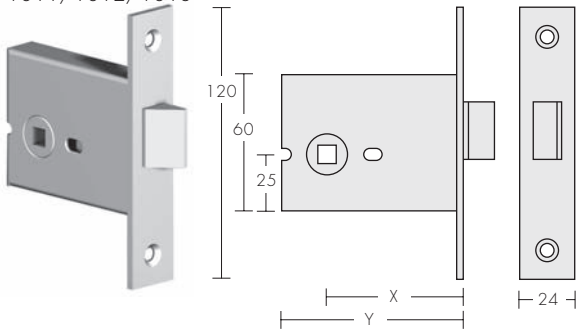
Lock Strikes for Rebated Doors 1008a/b

- Lock packer included with these strikes
- Standard strikes measure 20mm from the lock centreline to the bend of the lip.

Extended Lock Strikes for Rebated Doors 1009a/b

- Extended 50mm from standard. These strikes can be cut back to suit the door thickness. Specify the length required from the lock centreline to the edge of the door. The bent lip, 10mm wide, is additional to the width specified.

Mortice Latch
1011/1012/1013



Latch Strike for
Standard Doors
(universal) 1015



Strike Packer
1017a/b

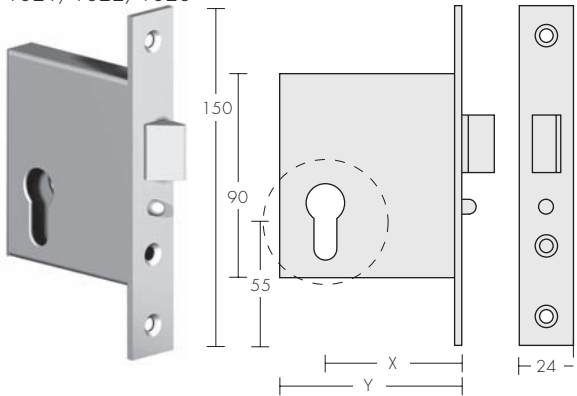


Latch Strikes for
Rebated Doors
1018



D-Strike for Standard Doors
(universal) 1015a – not shown

Mortice Night Latch
1021/1022/1023



Mortice Night Latch works with Latch Strike 1015
(standard doors) and Strike Packer 1017a/b above

Night Latch Strikes for Rebated Doors
1028a 1028b



Mortice Latches

Mortice Latch Dimensions

Model:	Backset:	Case depth:	Horizontal fixing centres:
	X	Y	
1011	45	65	38 - 41mm
1012	60	80	38 - 41mm
1013	70	90	38 - 41mm

The latches have 8mm spindle hubs, are reversible, and can be handed on site. **When these latches are to be used with unsprung lever handles, specify "HD" after the latch code number.**

Latch Strike for Standard Doors 1015

- Standard strikes measure 20mm from the lock centreline to the bend of the lip and are of a universal design

D-Strike for Standard Doors 1015a

Extended Latch Strikes 1016

- Extended 50mm from standard. These strikes can be cut back to suit the door frame. Specify the length required from the lock centreline to the edge of the door frame. The bent lip, 10mm wide, is additional to the width specified.

Strike Packer 1017a – 10mm/1017b – 8.5mm

For aluminium door frames

- Aluminium 10mm or 8.5mm thick x 24mm wide
- Natural anodised finish

Latch Strike for Rebated Doors 1018

- Universal design
- Lock packer included with these strikes
- Standard strikes measure 20mm from the lock centreline to the bend of the lip.

Extended Latch Strike for Rebated Doors 1019

- Extended 50mm from standard. These strikes can be cut back to suit the door thickness. Specify the length required from the lock centreline to the edge of the door. The bent lip, 10mm wide, is additional to the width specified.

Mortice Night Latches

Night latches have both deadlock and hold-back functions.

Mortice Night Latch Dimensions

Model:	Backset:	Case depth:
	X	Y
1021	45	65
1022	60	80
1023	70	90

Latch Strike for Standard Doors Use Strike 1015 above

Extended Latch Strikes

Use Extended Latch Strike 1016a/b above

Strike Packer Use Strike Packer 1017a/b above

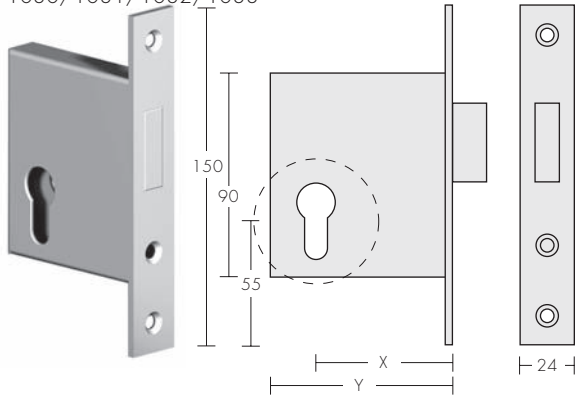
Night Latch Strikes for Rebated Doors 1028a/b

- Standard strikes measure 20mm from the lock centreline to the bend of the lip. Lock packer included

Extended Latch Strikes for Rebated Doors 1029a/b

- Extended 50mm from standard. These strikes can be cut back to suit the door thickness. Specify the length required from the lock centreline to the edge of the door. The bent lip, 10mm wide, is additional to the width specified.

Mortice Deadbolt
1030/1031/1032/1033



Mortice Deadbolts

Mortice Deadbolt Dimensions

Model:	Backset:	Case depth:
	X	Y
1030	35	50
1031	45	65
1032	60	80
1033	70	90

Deadbolt Strike for Standard Doors 1035

Strike Packer 1037a – 10mm/1037b – 8.5mm

For aluminium door frames (not shown)

- Aluminium 10mm or 8.5mm thick x 24mm wide
- Natural anodised finish

Deadbolt Strike for Rebated Doors 1038a/1038b

- Lock packer included with these strikes

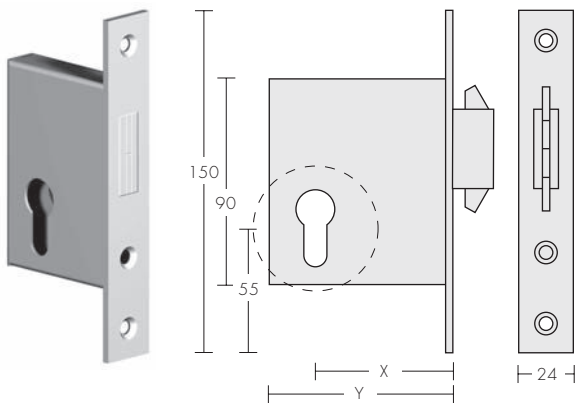
Standard Strike
1035



Deadlock Strikes for Rebated Doors
1038a 1038b



Mortice Sliding Door Lock
1040/1041/1042



Mortice Sliding Door Locks

Mortice Sliding Door Lock Dimensions

Model:	Backset:	Case depth:
	X	Y
1040	35	50
1041	45	65
1042	60	80

Sliding Door Lock Strike 1045

Sliding Door Strike
1045



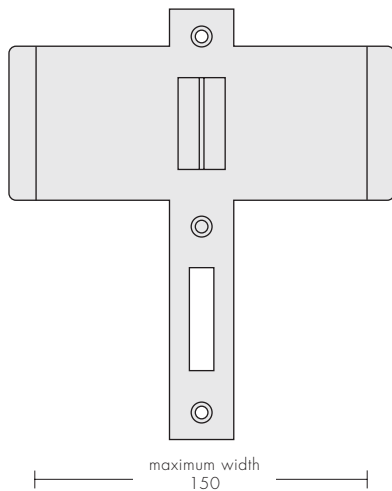
Roller Lock Strikes for Rebated Doors
1058a



1058b



Roller Lock Strikes for Swing-through Doors
1060 (double-lip style)



Roller Lock Strikes for Rebated Doors 1058a/b

- Ramp for the roller to roll up when the door is closing
- Downward ramp for the roller to extend into, securing the door against its backstop
- Integral strike box behind the roller ramp
- Separate strike box for lock bolt
- Lock packer included with these strikes
- Standard strikes measure 20mm from the lock centreline to the bend of the lip.

Extended Roller Lock Strikes for Rebated Doors 1059a/b

- Extended 50mm from standard. These strikes can be cut back to suit the door thickness. Specify the length required from the lock centreline to the edge of the door. The bent lip, 10mm wide, is additional to the width specified.

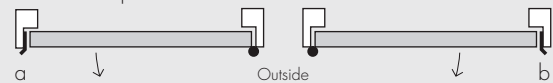
Roller Lock Strike for Swing-through Doors 1060 (double lip style)

- Ramps for the roller to roll up when the door is closing
- V-recess in the centre to locate the door
- Separate strike box for lock bolt
- Specify jamb width required when ordering, ie. 1060 – 120mm
- 10mm wide lips are additional to the jamb width unless otherwise stated

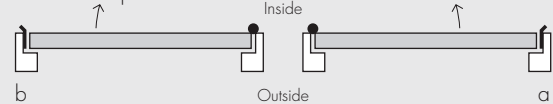
Handing of Strikes

Single Doors

Doors that open OUT

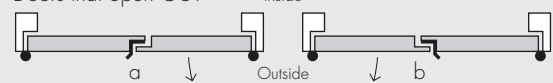


Doors that open IN

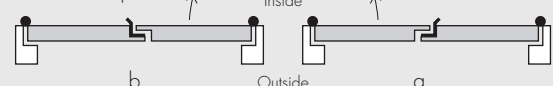


Double Doors

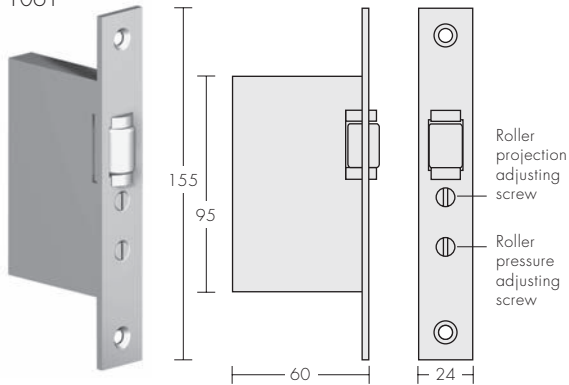
Doors that open OUT



Doors that open IN



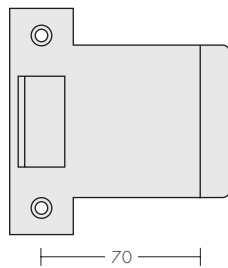
Mortice Roller Latch
1061



Roller Latch Strike
for Standard Doors
1065



Extended Roller
Latch Strike
1066



Roller Strike
Packer
1067a/b



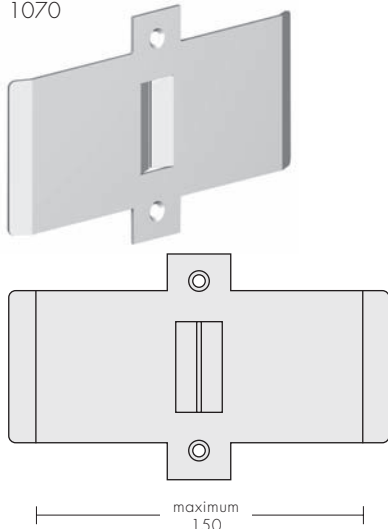
Roller Latch Strike
for Rebated Doors
1068a



1068b



Roller Latch Strike for Swing-through Doors
1070



Mortice Roller Latches

Mortice Roller Latch 1061

The Mortice Roller Latch is designed for standard, narrow stile, rebated and swing-through doors. It can be installed on the stile or on the head of the door. This Roller Latch is particularly suitable for swing-through doors to locate the door in the closed position, to receive an electric locking bolt.

Roller Latch Strike for Standard Doors 1065

- Universal
- Ramp for the roller to roll up when the door is closing
- Downward ramp for the roller to extend into, securing the door against its backstop
- Integral strike box behind the roller ramp
- Standard strike measures 20mm from the lock centreline to the bend of the lip.

Extended Roller Latch Strike 1066

- Extended 50mm from standard.
- These strikes can be cut back to suit the door frame. Specify the length required from the lock centreline to the edge of the door frame. The bent lip, 10mm wide, is additional to the width specified.

Roller Strike Packer

1067a – 10mm/1067b – 8.5mm

For aluminium door frames

- Aluminium 10mm or 8.5mm thick x 24mm wide
- Natural anodised finish

Roller Latch Strike for Rebated Doors 1068a/b

- Ramp for roller to roll up when the door is closing
- Downward ramp for the roller to extend into, securing the door against its backstop
- Integral strike box behind the roller ramp
- Standard strikes measure 20mm from the lock centreline to the bend of the lip.

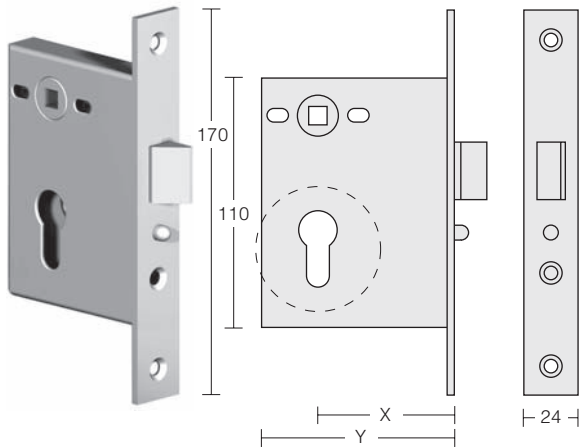
Extended Roller Latch Strikes for Rebated Doors 1069a/b

- Extended 50mm from standard. These strikes can be cut back to suit the door thickness. Specify the length required from the lock centreline to the edge of the door. The bent lip, 10mm wide, is additional to the width specified.

Roller Latch Strike for Swing-through Doors (double lip style) 1070

- Ramp for roller to roll up when the door is closing
- V-recess in the centre to locate the door
- Specify jamb width required when ordering, ie. 1070 – 120mm
10mm wide lips are additional to the jamb width, unless otherwise specified

Mortice Single Action Lock
1072/1073



Lock Strike for
Standard Doors
(universal) 1015



Single Action Lock Strikes for Rebated Doors
1078a 1078b



Strike Packer
1017a/b



Mortice Single Action Locks

Mortice Single Action Lock 1072

Key on the outside withdraws the latch bolt. Lever handle on the inside withdraws the latch bolt at all times to open the door. Dead locking function is included in the lock.

Faceplate made from 316 stainless steel with brass case, and brass and stainless steel components. This lock has an 8mm spindle hub, and the latch bolt is reversible.

The lock case is machined with elongated slots to mount the door handles. They are supplied with offset nuts that allow the fitting of lever handles on a rose with 38mm or 41mm fixing centres. This allows the handle to be securely fastened with the door sandwiched between the handle rose and the lock case. A packer is provided to centre the lock body within a 22mm mortice.

Mortice Single Action Lock Dimensions

Model:	Backset:	Case depth:
	X	Y
1072	60	85
1073	70	95

Lock Strike for Standard Doors 1015

- Universal design
- Standard strikes measure 20mm from the lock centreline to the bend of the lip.

Extended Lock Strikes 1016a/b

- Extended 50mm from standard. These strikes can be cut back to suit the door frame. Specify the length required from the lock centre line to the edge of the door frame. The bent lip, 10mm wide, is additional to the width specified.

Strike Packer 1017a – 10mm/1017b – 8.5mm

For aluminium door frames

- Aluminium 10mm or 8.5mm thick x 24mm wide
- Natural anodised finish

Lock Strike for Rebated Doors 1078a/b

- Lock packer included with these strikes
- Standard strikes measure 20mm from the lock centreline to the bend of the lip.

Finishes available for locks, latches and strikes

Stainless steel	SS
Copper plate	COP
Bronze plate*	BP*

*This is a brass/bronze plated finish on stainless steel as an approximate match for bronze handles