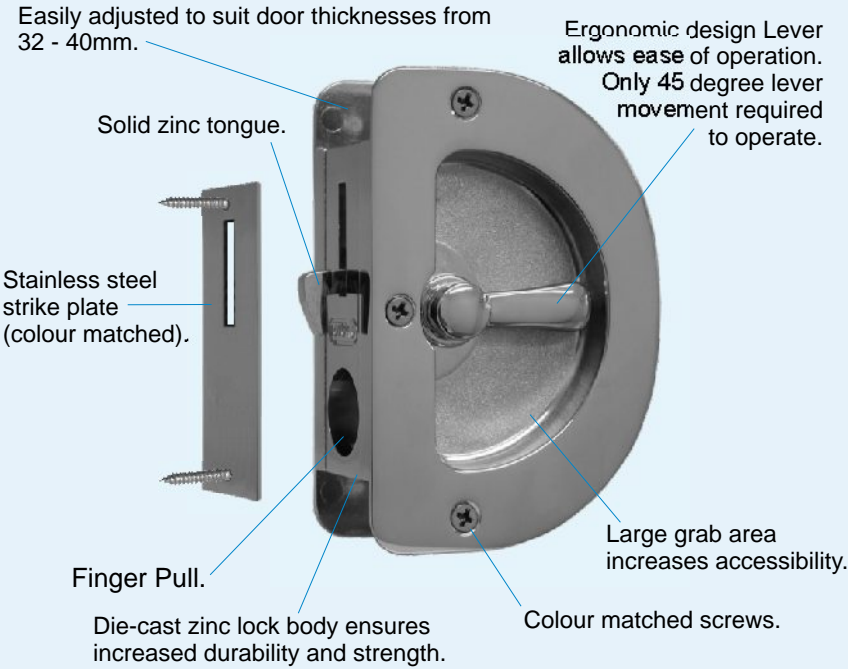


CAVITY DOOR LATCHES & LOCKS

POLARIS Sliding Cavity Door Latches and Pulls

Available in the following colours:

Polished Chrome, Satin Chrome and Polished Brass



Side face measures 96mm H x 63mm W.

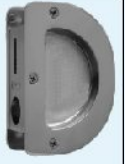
Privacy Latch P688

The POLARIS cavity **Privacy Latch** is suitable for applications such as bedrooms and bathrooms where privacy is the desired function. Contains one latching lever and one emergency egress coin turn.



Passage Pull P689

The POLARIS cavity **Passage Pull** is suitable for bi-parting door applications and may be used with the Privacy Latch, the Connector Latch or as a single passage pull.



Connector Latch P690

The POLARIS cavity **Connector Latch** is suitable for all non locking applications where access is required from both sides of the door. Has a lever on each side.



AUST. REG. DES. 158177. Regd NZ 405515

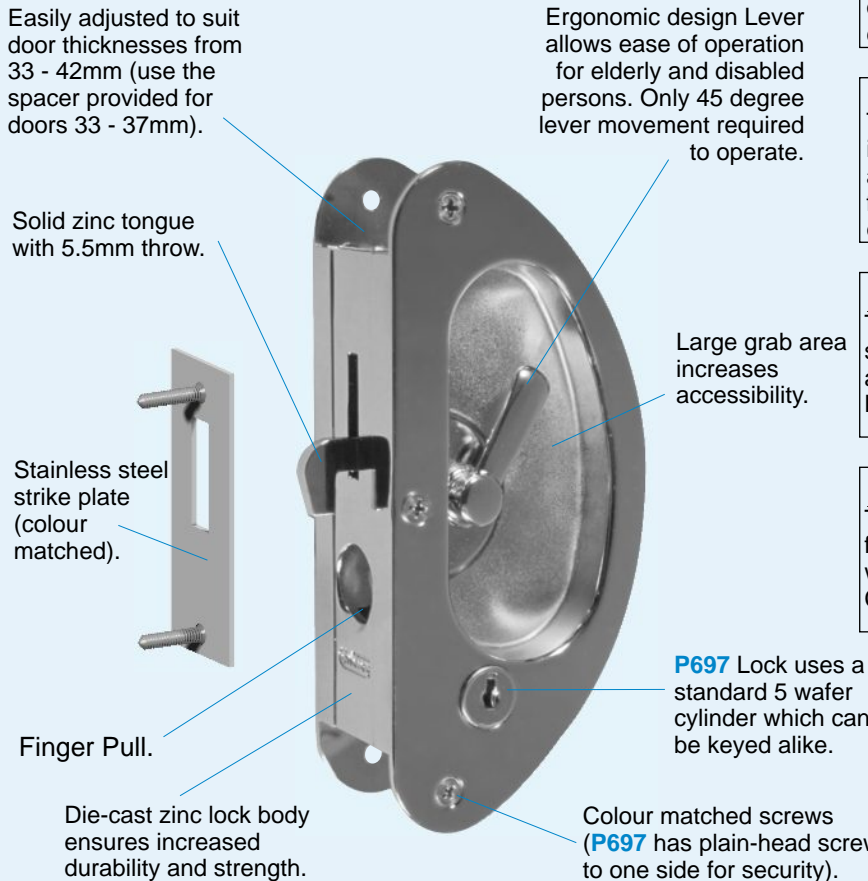
P688	Privacy Latch - Retail Pack of 1
P689	Passage Pull - Retail Pack of 1
P690	Connector Latch - Retail Pack of 1

CRESCENT Sliding Cavity Door Locks, Latches and Pulls

With Exclusive Keyed Option

Available in the following colours:

Polished Chrome, Satin Chrome and Polished Brass



Side face measures 155mm H x 70mm W.

Keyed Latch Lock P697

The CRESCENT cavity **Keyed Latch Lock** is suitable for applications where keyed locking is the desired function such as garage entry doors or offices. Contains two levers and two cylinders.



Privacy Latch P696

The CRESCENT cavity **Privacy Latch** is suitable for applications such as bedrooms and bathrooms where privacy is the desired function. Contains one latching lever and one emergency egress coin turn.



Connector Latch P695

The CRESCENT cavity **Connector Latch** is suitable for all non locking applications where access is required from both sides of the door. Has a lever on each side.



Dummy Pull TT698

The CRESCENT cavity **Dummy Pull** is suitable for bi-parting door applications and may be used with the Keyed Latch Lock, Privacy Latch, the Connector Latch or as a single passage pull.



P695	Connector Latch - Retail Pack of 1
TT695	Connector Latch - Builder's Pack of 1
P696	Privacy Latch - Retail Pack of 1
TT696	Privacy Latch - Builder's Pack of 1
P697	Keyed Latch Lock - Retail Pack of 1
TT697	Keyed Latch Lock - Builder's Pack of 1
TT698	Dummy Pull - Builder's Pack of 1