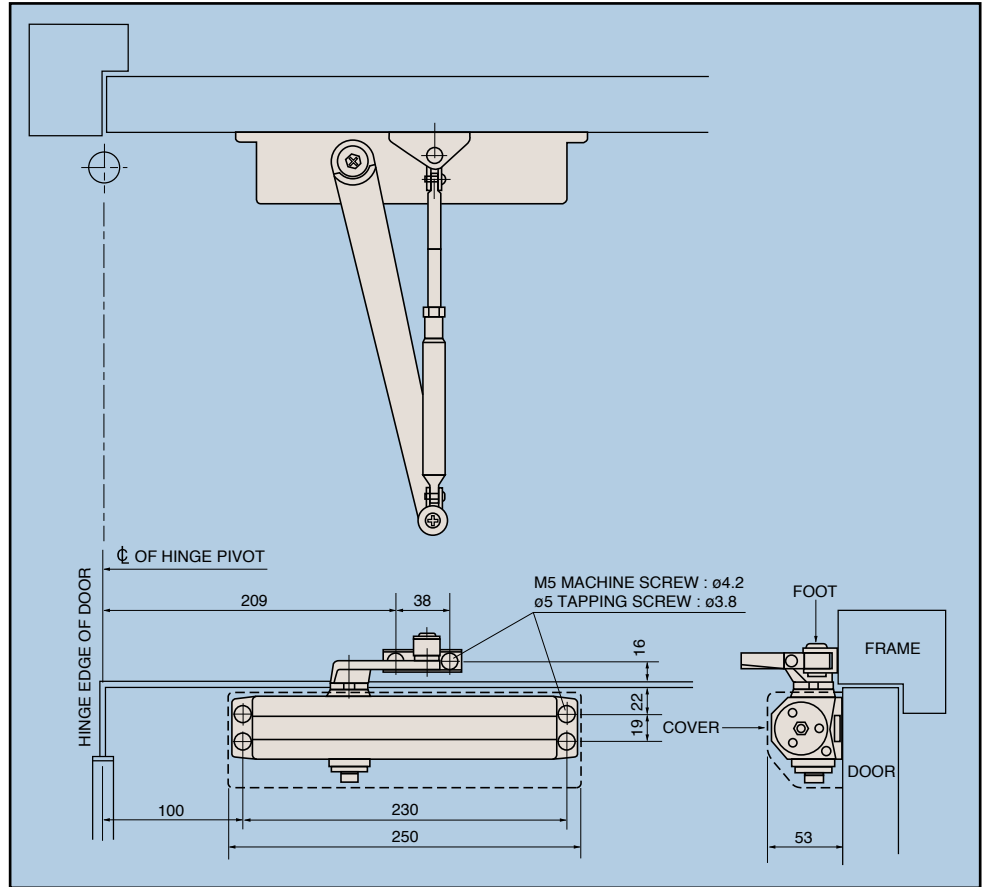


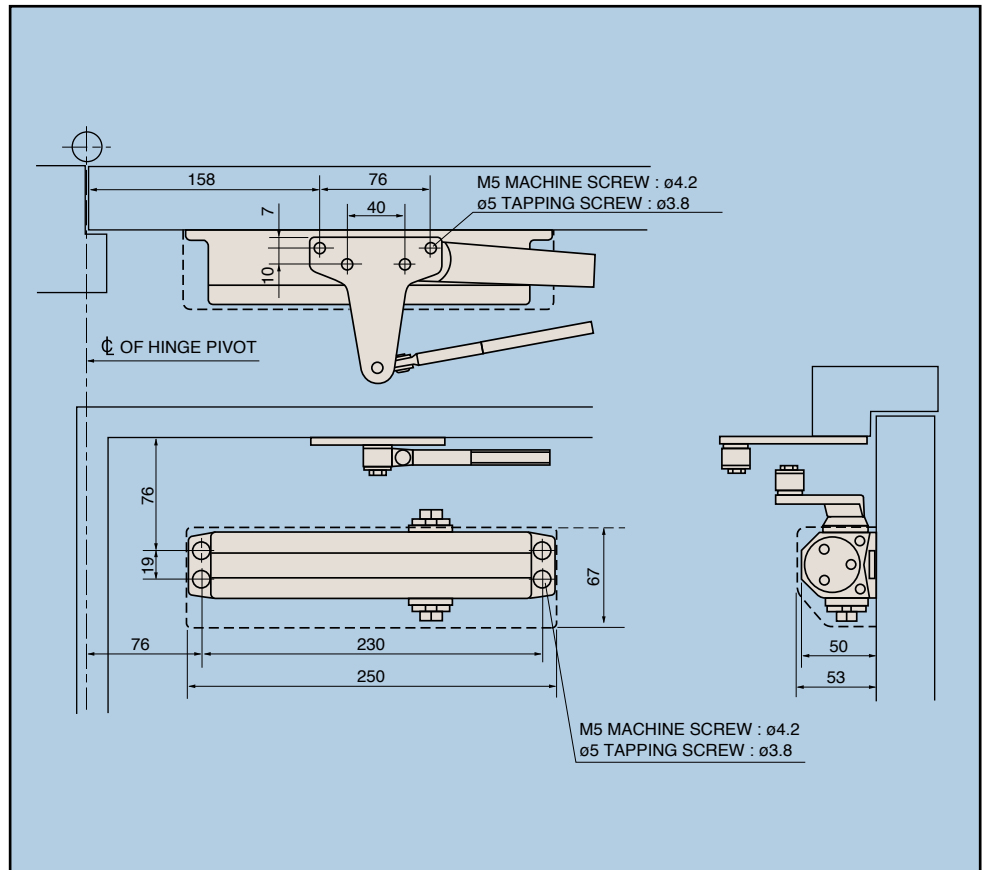
STANDARD APPLICATION

CLOSER MOUNTED ON PULL SIDE OF DOOR



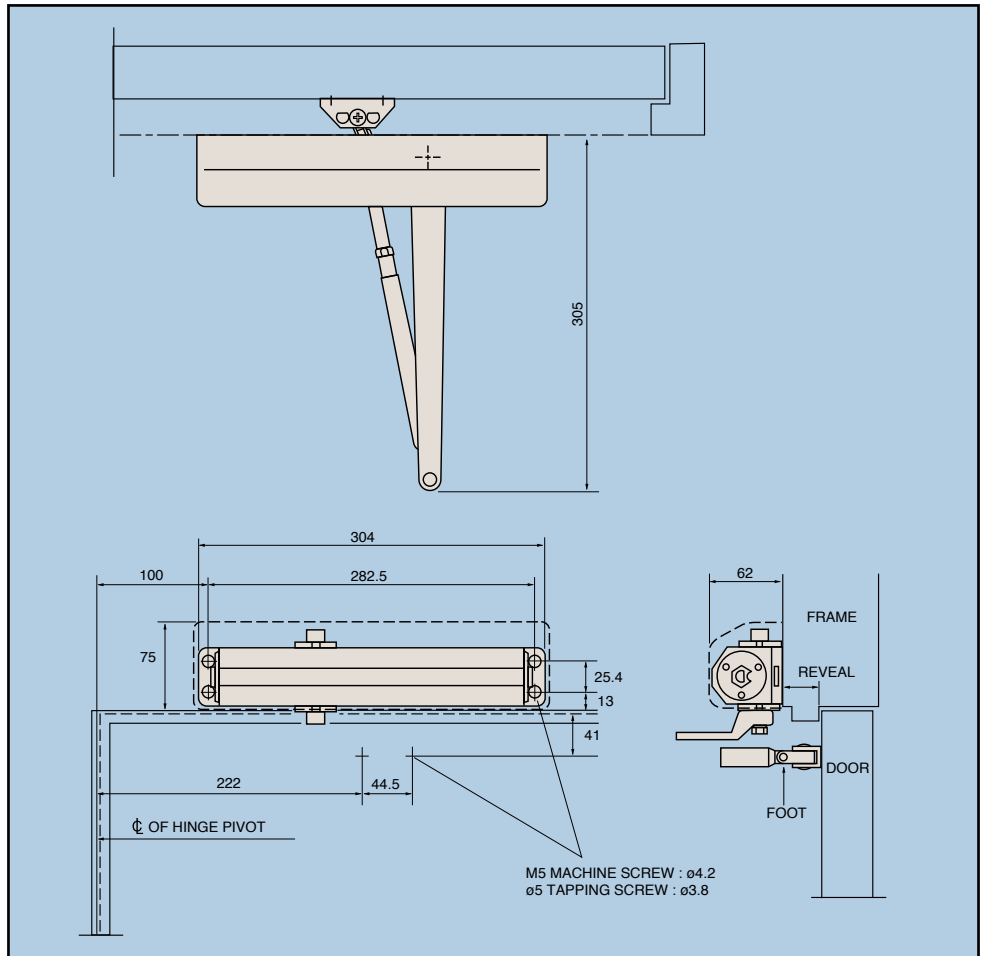
PARALLEL ARM APPLICATION

CLOSER MOUNTED ON PUSH SIDE OF DOOR



TOP JAMB APPLICATION

CLOSER MOUNTED ON
PUSH SIDE OF DOOR



TRACK-RAIL ARM APPLICATION

CLOSER MOUNTED ON
PULL SIDE OF DOOR

