

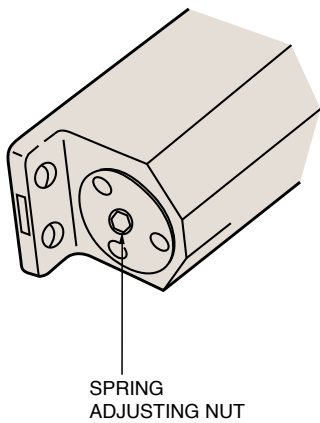
APPLICATION

	STANDARD	PARALLEL	UNIVERSAL	TRACK-RAIL
Non Hold-Open	D-2550	D-2550P	D-2550 UNIV	D-2550T
Hold-Open	DS-2550	DS-2550P	—	DS-2550T
Spring Strength	1-4 Spring Variable			1-3 Spring Variable
	To EN1154	1-4 Spring Variable		—
Door Width/ Door Weight	External	950MM/ 80KG		900MM/ 65KG
	Internal	1200MM/ 80KG		1050MM/ 65KG
	To EN1154	1100MM/ 80KG		—

CLOSING POWER ADJUSTMENT

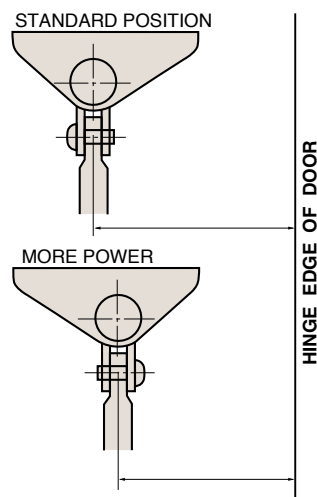
Spring Power adjustable according to door weight and width, 1 through 4. Refer to installation instructions.
Factory preset size 3 standard installation.

Maximum Spring Tension : Opening Force / Closing Force.



LATCHING POWER ADJUSTMENT

By changing the position of the frame arm on the foot bracket closing force at the latch can be increased or decreased. This can be achieved with the foot bracket in position.

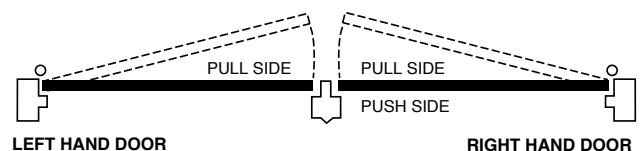


LOW OPENING RESISTANCE/ HIGHER EFFICIENCY

A precise production for every components based on Ryobi's original quality control system realized higher efficiency of almost 70% at the average of all ranges and decreased opening resistance to the lowest for elderly and handicapped persons.

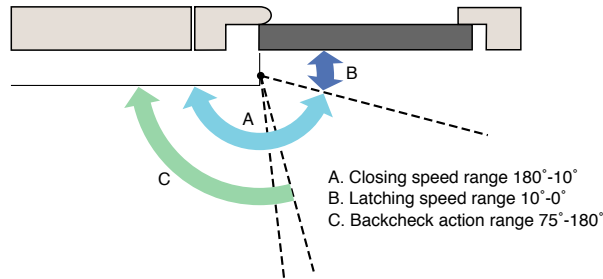
NON-HANDED

D-2550 Series Door Closers can be used on both RH and LH doors for both push side and pull side mountings.

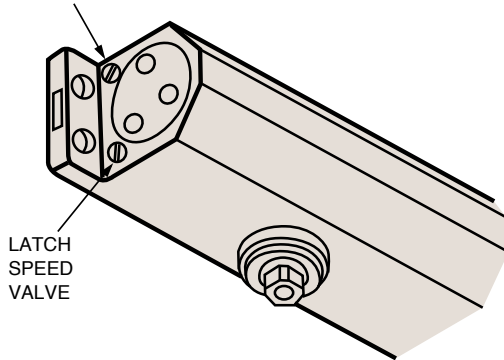


FULL HYDRAULIC CONTROL

Controls the door through the entire opening and closing cycles by providing adjustable backcheck upon opening and adjustable general and latch speed through the closing cycle.



GENERAL SPEED VALVE

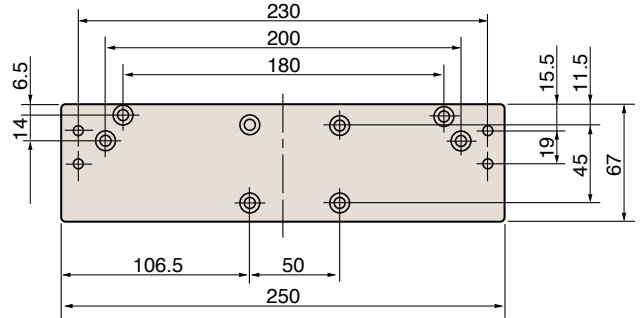


ADJUSTABLE BACKCHECK

A backcheck feature set and adjusted by an independent valve. When introduced the backcheck stalls the opening of the door around 70 degrees. When doors are violently opened by pedestrians or wind, the backcheck feature reduces the likelihood of damage should contact be made with an adjacent wall or obstacle. For busy doors in public building, schools and colleges this facility protects people and property.

VERSATILE APPLICATION

Optional backing plate allows D-2550 Series Door Closers to be installed at hole pattern of Ryobi D-2100V series and other similar type door closers.



FOR FIRE DOOR

D-2550 Series Door Closers have been successfully type-tested for conformity to all of the requirements of EN1154 (including EN1634 Part. 1)

ALL SEASON FLUID

All season fluid eliminates the need for seasonal adjustment.

PERIODIC MAINTENANCE

None required other than to check security of fixings on a regular basis.

OPTIONAL HOLD-OPEN

The non handed, optional hold open arm allows the door to be held open at any angles between 70 and 180 degrees. The serration type cam never allows a door to fall back. The cam and bearing type hold open mechanism ensures adequate hold open force by adjustable hold open force.

VARIOUS FINISHES

D-2550 Door Closers are available in SILVER, DARK-BRONZE, METALIC LEMON GOLD, BLACK, and WHITE finishes. Customs colors such as POLISHED GOLD and POLISHED SILVER may be available.