

GEZE TS 3000 V

Overhead closer for single-leaf doors

Product features

- ▶ Door closer EN 1154 A with guide rail
Option: GEZE T-Stop guide rail with integrated opening restrictor
- ▶ Adjustable closing force size 1-4
- ▶ Hydraulic latching action and thermo-constant closing speed can be adjusted from front

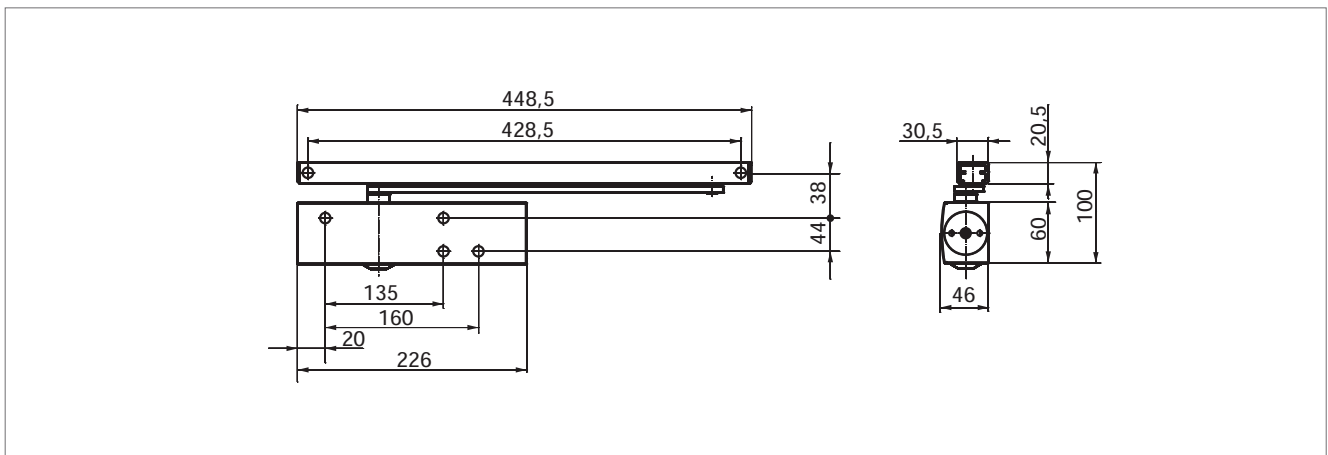


Fig. 8-1

Applications

- ▶ For single action doors, leaf width up to 1100 mm
- ▶ Can be used for right and left hand doors without adjustment
- ▶ For smoke and fire doors (if door mount, a mounting plate is required)

Specification text

GEZE Overhead door closer TS 3000 V to be mounted to fire and smoke doors, in accordance with EN 1154 A, size 1-4, with guide rail, adjustable closing force, standard fitting on hinge side / door mount, with mounting plate.

Optional:

- () with T-Stop guide rail, with integrated opening restrictor

Colour:

- () silver
- () dark bronze
- () white
- () RAL ...

Standard version/package

GEZE TS 3000 V closer complete with mounting material and fitting template (mounting plate not included); still needed: guide rail with lever

- ▶ **Version GEZE TS 3000 V with mechanical hold-open** (not permitted for use with smoke and fire doors)

Installation of the hold-open device in the appropriate guide rail allows infinitely variable door hold-open between 80° and 130°.

The retaining force for the hold-open can be adjusted. The hold-open can therefore be disabled.

- ▶ **Version GEZE TS 3000 V BC**

with adjustable back check



GEZE TS 3000 V · Klinik Donaustauf



GEZE TS 3000 V · Steigenberger Hotel de Saxe, Dresden

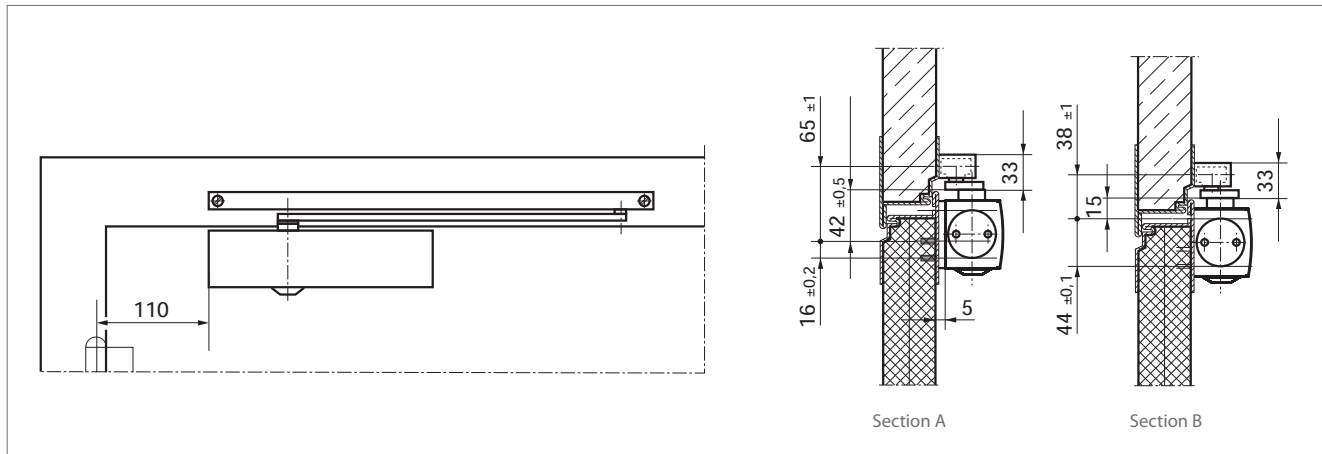


Fig. 10-1

Mounting on hinge side / door mount with standard guide rail

Example showing the mounting of GEZE TS 3000 V, see Fig. 10-1

- Section A = mounting with mounting plate
- Section B = mounting without mounting plate (not permitted for use with smoke and fire doors)

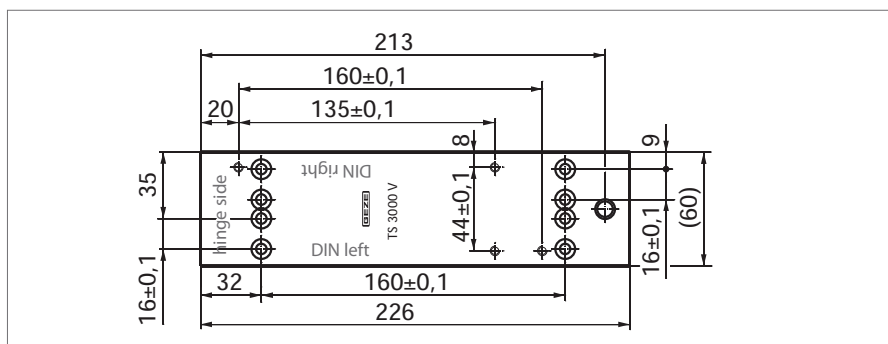


Fig. 10-2

Mounting with mounting plate

Mounting plate, 5 mm thick, for doors without direct closer mounting, see Fig. 10-2

Mounting dimensions for left hand door, see Fig. 10-3
right hand door, see Fig. 10-4

Direct mounting
(in Germany not permitted for use with smoke and fire doors)

Mounting dimensions for left hand door, see Fig. 10-5
right hand door, see Fig. 10-6

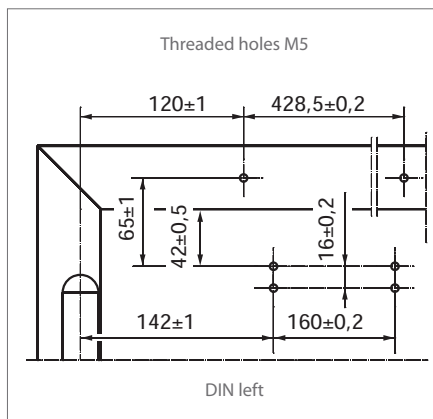


Fig. 10-3

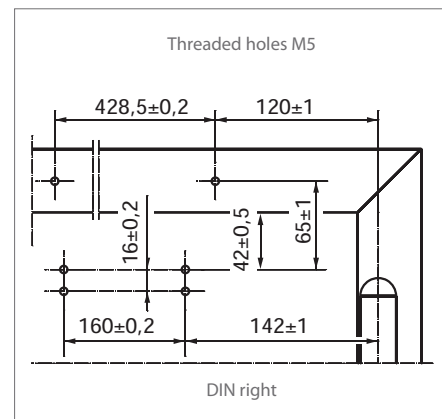


Fig. 10-4

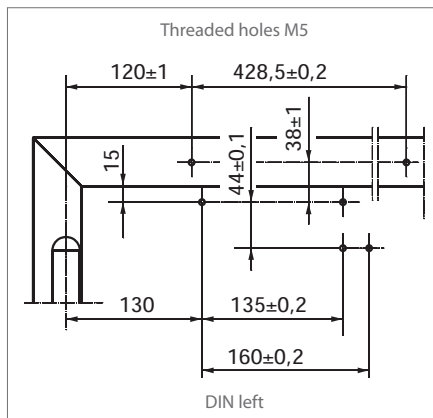


Fig. 10-5

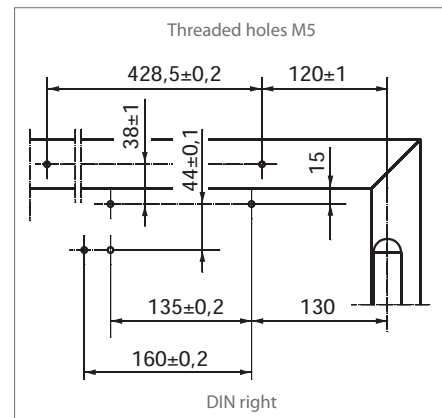


Fig. 10-6

Mounting on hinge side / frame mount with standard guide rail
 (only permitted for use with smoke and fire doors if the door is officially approved for this mounting method)

Example showing the transom mounting of GEZE TS 3000 V, see Fig. 11-1

Direct mounting
 (in Germany not permitted for use with smoke and fire doors)

Mounting dimensions for left hand door, see Fig. 11-2
 right hand door, see Fig. 11-3

Mounting with mounting plate

Mounting dimensions for left hand door, see Fig. 11-4
 right hand door, see Fig. 11-5

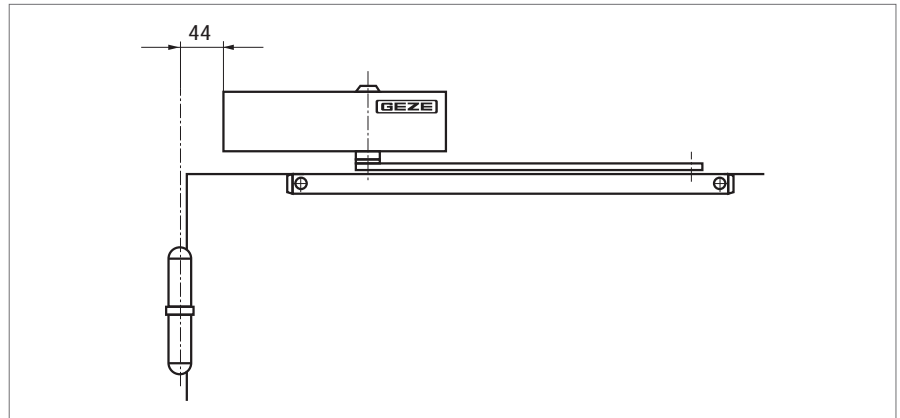


Fig. 11-1

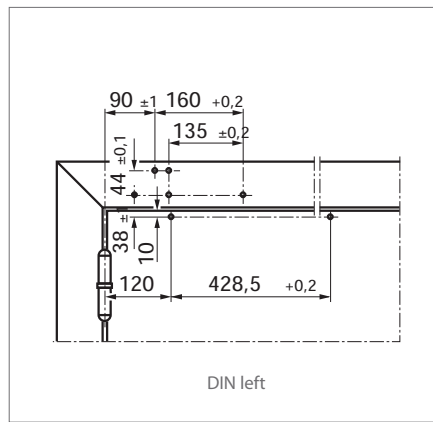


Fig. 11-2

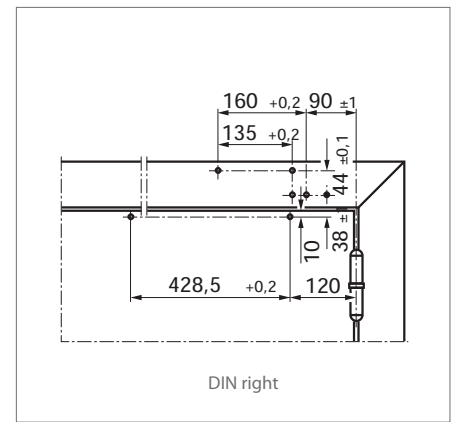


Fig. 11-3

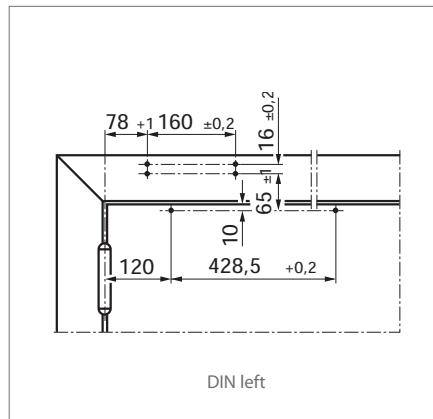


Fig. 11-4

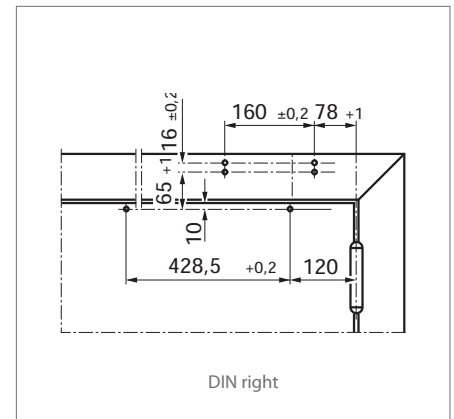


Fig. 11-5

Mounting on opposite hinge side / door mount with guide rail BG

(only permitted for use with smoke and fire doors if the door is officially approved for this mounting method)

Example showing the mounting of GEZE TS 3000 V, see Fig. 12-1

Direct mounting

(in Germany not permitted for use with smoke and fire doors)

Mounting dimensions for right hand door, see Fig. 12-2
left hand door, see Fig. 12-3

Mounting with mounting plate

Mounting dimensions for right hand door, see Fig. 12-4
left hand door, see Fig. 12-5

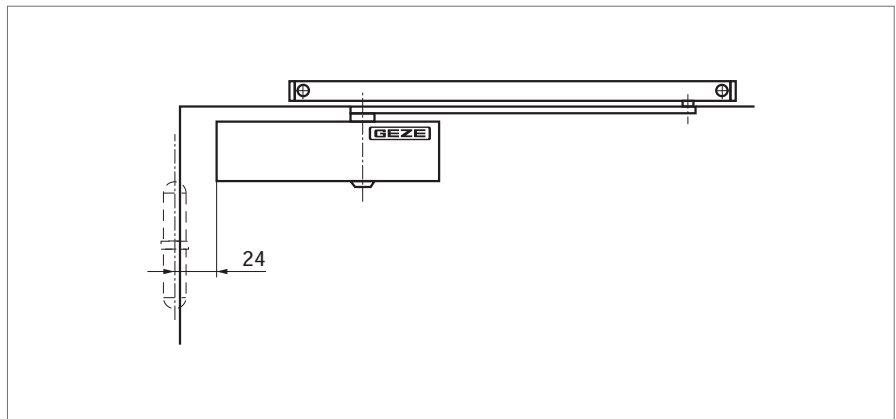


Fig. 12-1

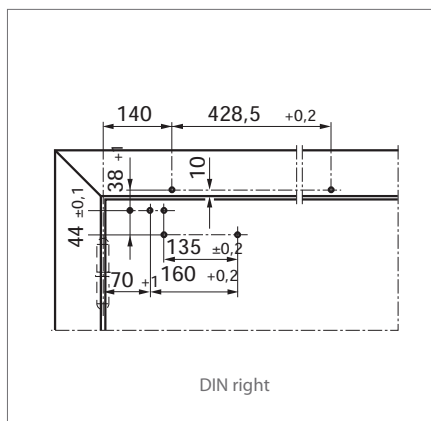


Fig. 12-2

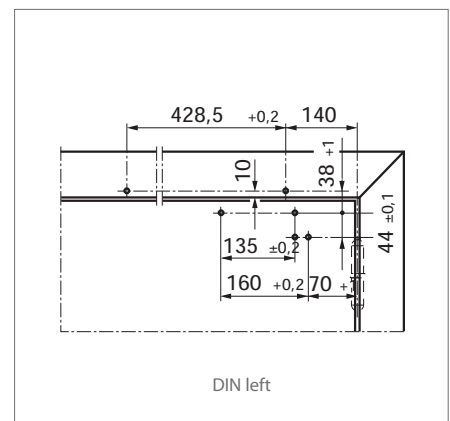
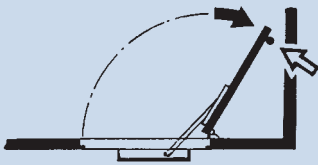


Fig. 12-3

Attention!



Restrict the max. door opening angle with a door stop!
With TS 3000 V the GEZE T-Stop guide rail with integrated opening restrictor can be used instead of a conventional door stop which has to be installed on the floor.

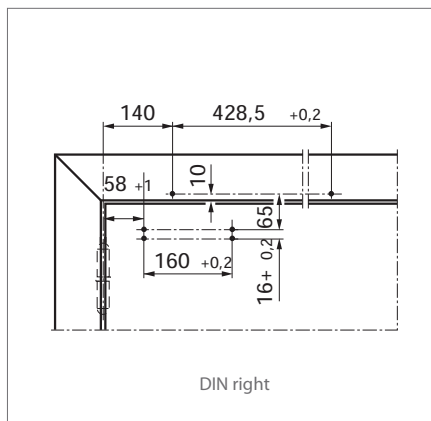


Fig. 12-4

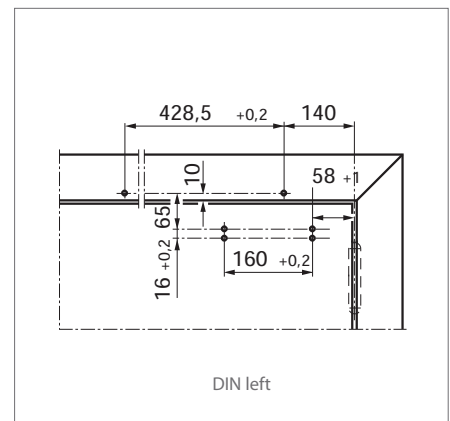


Fig. 12-5

Mounting on opposite hinge side / door mount with standard guide rail
 (only permitted for use with smoke and fire doors if the door is officially approved for this mounting method)

Example showing the mounting of GEZE TS 3000 V, see Fig. 13-1

Direct mounting

(in Germany not permitted for use with smoke and fire doors)

Mounting dimensions for right hand door, see Fig. 13-2
 left hand door, see Fig. 13-3

Mounting with mounting plate

Mounting dimensions for right hand door, see Fig. 13-4
 left hand door, see Fig. 13-5

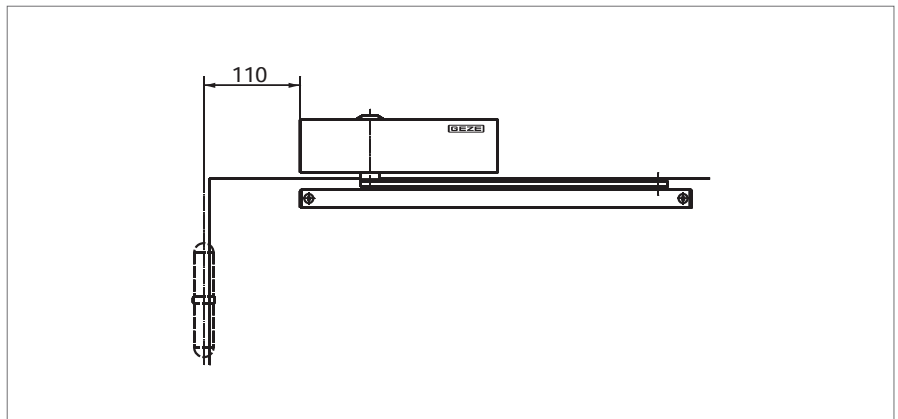


Fig. 13-1

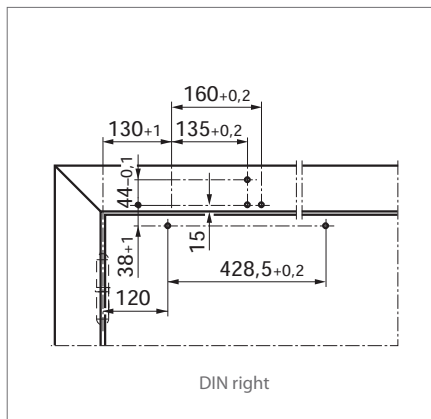


Fig. 13-2

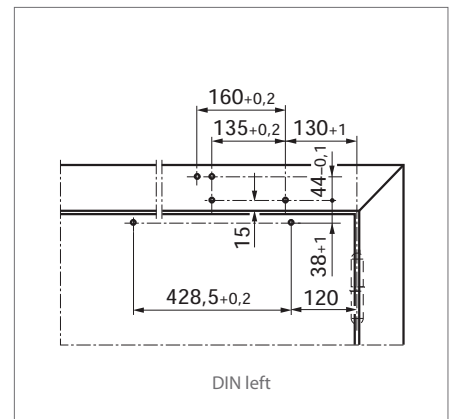


Fig. 13-3

Attention!

Restrict the max. door opening angle with a door stop!
 With TS 3000 V the GEZE T-Stop guide rail with integrated opening restrictor can be used instead of a conventional door stop which has to be installed on the floor.

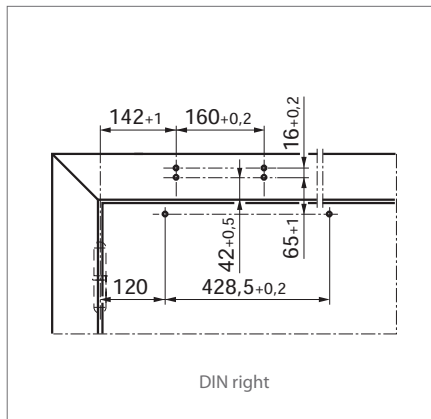


Fig. 13-4

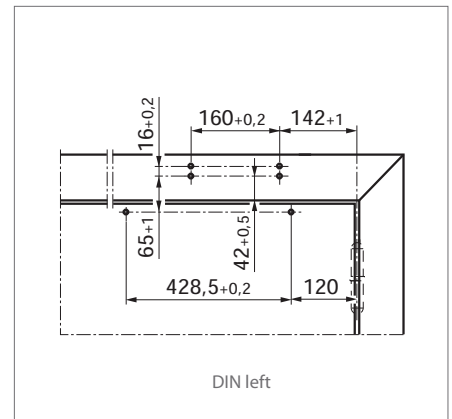


Fig. 13-5

GEZE TS 3000 V – Ordering information

Description	Finish	ID No.
GEZE TS 3000 V, size 1-4 Door closer without guide rail, without lever	silver	028348
	dark bronze	028349
	white RAL 9016	028350
	RAL colour	028351
Guide rail with lever	silver	068221
	dark bronze	068222
	white RAL 9016	015695
	brass effect	067985
	stainless steel effect ²⁾	014945
	RAL colour	000773
Guide rail with lever, height adjustment ± 2 mm	silver	115191
	RAL colour	115192
Guide rail BG with (for mounting on opposite hinge side)	silver	025655
	dark bronze	029403
	white RAL 9016	029404
	brass effect	-
	stainless steel effect ²⁾	028732
	RAL colour	025656
Guide rail with lever, height adjustment ± 2 mm (for mounting on opposite hinge side)	silver	115193
	RAL colour	115194
Mechanical hold-open ¹⁾		017924
Mechanical opening restrictor		069780
GEZE TS 3000 VBC, size 1-4 Door closer with opening restrictor without guide rail, without lever	silver	109326
	dark bronze	109327
	white RAL 9016	109328
	RAL colour	109329
Mounting material		
Mounting plate for doors without direct closer mounting	silver	011230
	dark bronze	011232
	white RAL 9016	011233
	RAL colour	011234
Clamping plate for glass doors	silver	014835
	dark bronze	014836
	white RAL 9016	014843
	RAL colour	014845
Mounting plate and counterplate for glass doors	silver	090259
	RAL colour	090260
Drilling template		053134
Accessories		
Cover caps (only suitable for mounting on door leaf)	silver	013487
	dark bronze	014849
	white RAL 9016	014855
	polished brass	072770
	stainless steel	072769
	RAL colour	014856

¹⁾ in Germany not permitted for use with smoke and fire doors

²⁾ finish stainless steel effect for dry rooms only