

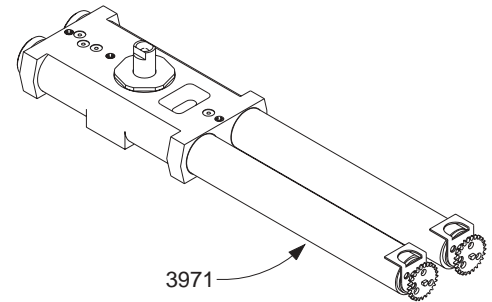
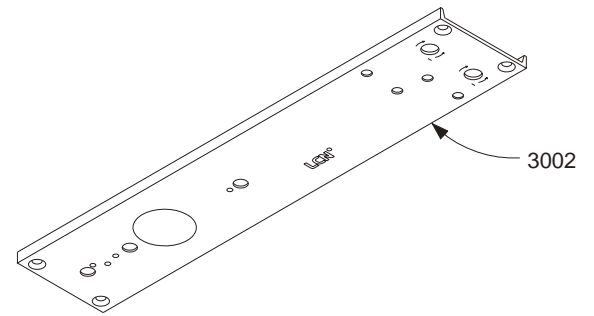
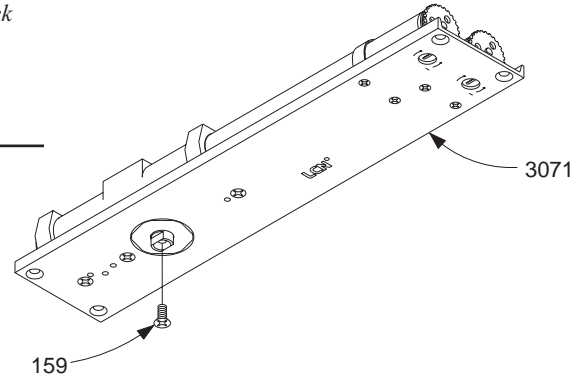
## Cylinder Assemblies

6031(2-5)-3071      Cylinder Assembly      F, S  
*Includes cylinder mounting/finish plate & screw pack  
 (WMS standard – please specify other)  
 Cylinder assembly is size specific (not adjustable)*

## Individual Cylinder Parts

Individual cylinder parts for 6030-3071

6030-159      Arm Screw      F  
 6030-3002      Finish Plate      F, S  
 6031(2-5)-3971      Cylinder Pin      F, S  
*Does not include mounting/finish plate  
 Cylinder assembly is size specific (not adjustable)*



Please specify finish (F), size (S), hand (H), & voltage (V) where indicated. See the latest edition of the LCN Catalog for part descriptions and specifications on many of the items shown above. List prices for items shown above can be located in the current LCN Price List.

# LCN 6030 SERIES "Pacer"

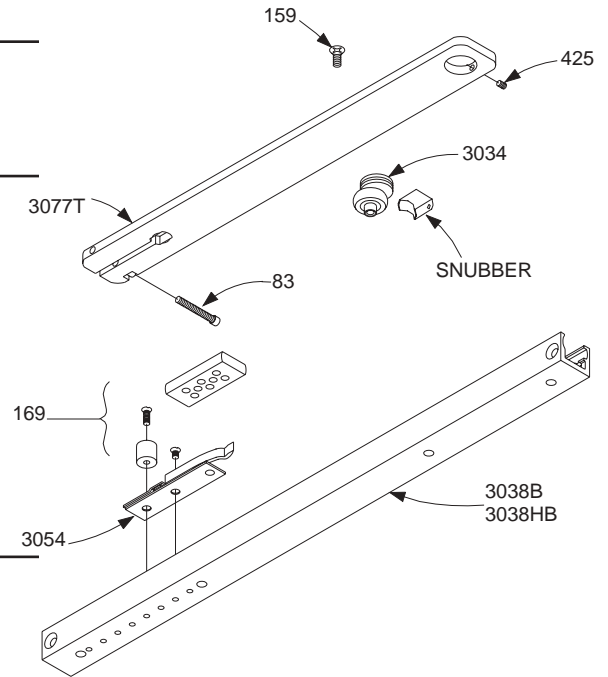
## Complete Arm Assemblies

6030-3077T Standard Arm F  
Includes 6030-83, -159, & -425

## Individual Arm Parts

Individual arm parts for 6030-3077T

6030-83 Arm Set Screw F  
6030-159 Arm Screw F  
6030-425 Roller Locking Screw F  
6030-3034 Track Roller F  
(Special low friction roller)  
Includes snubber



## Complete Track Assemblies

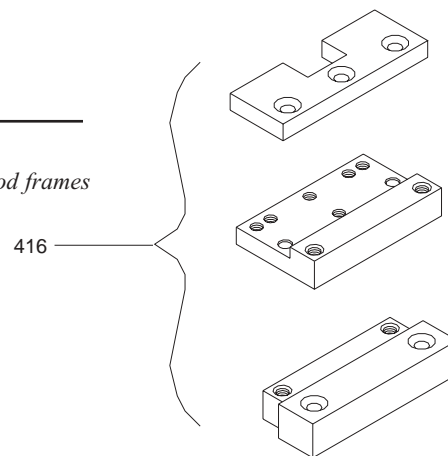
6030-3038B Standard Track w/ Bumper F  
Includes 6030-169  
6030-3038HB Standard Track w/Bump & HP F  
Includes 6030-169, & -3054

## Individual Track Parts

6030-169 Bumper Assembly  
Includes post & mounting screws  
6030-3034 Track Roller  
6030-3054 Hold-Pen Spring Clip  
Includes mounting screws

## Installation Accessories

6030-416 Wood Mounting Clip Set F  
Mounts center pivoted 6030 Series closer in wood frames



Please specify finish (F), size (S), hand (H), & voltage (V) where indicated. See the latest edition of the LCN Catalog for part descriptions and specifications on many of the items shown above. List prices for items shown above can be located in the current LCN Price List.