

# 8000 ADJ Series Transom Closers

## 3 in 1 Transom Closer

**3 units will give you the function, strength and flexibility previously required by 9 separate fixed strength closers.**

The 8000 ADJ has a spring power adjustment which allows you to pre-adjust your closer to the desired strength to suit your application. No more issues in those difficult door applications with outside winds or inside air conditioning affecting your decision which size transom closer to use.

For convenience, the Novas 8000 ADJ is factory set to size 1. By turning the spring power adjustment screw clockwise, sizes 2 & 3 can be easily set.

The Novas fully concealed 8000 ADJ transom closer is designed to provide positive centring and door control on manually operated single or double action internal and external Aluminium doors.

With the 8000 ADJ you have the maximum flexibility to adjust the strength of closer function on site.

## Features

- 500,000 cycle tested
- Stock reduction, cost savings and better stock turnovers.
- Maximum flexibility on site
- Option NHO, HO 90° and HO 105°



Simple adjustment for spring strengths from 1 to 3.

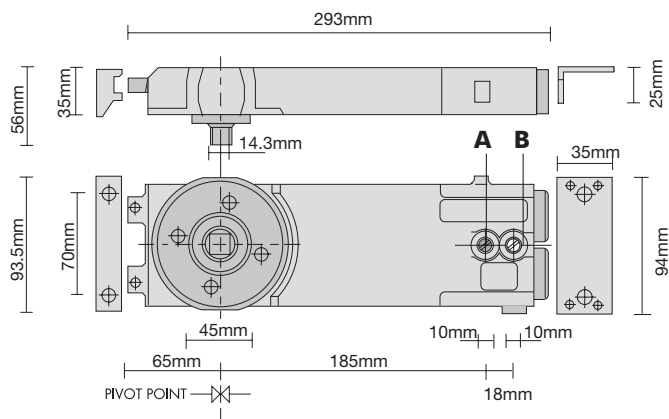
## 8000 ADJ Transom Closer Specifications

Hydraulic Unit Spring Strength			Door	
Size	Spring Strength	Closing Force (In kpm)	Maximum Width mm	Maximum Weight kg.
1	Light	1.73	950	60 - 80
2	Regular	2.34	1150	80 - 120
3	Heavy	3.16	1250	100 - 150

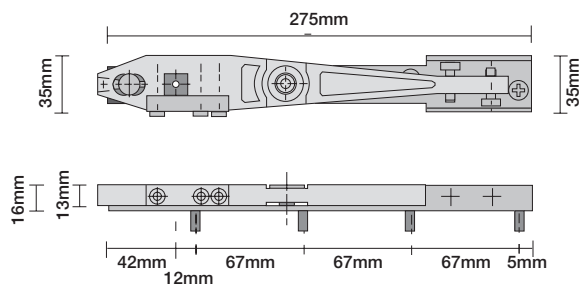


# 8000 ADJ Series Transom Closers

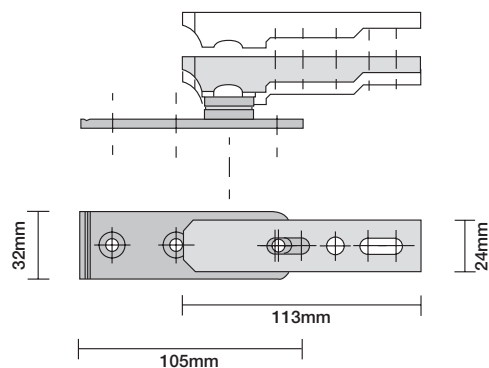
## Technical Data



## Side Load Arm



## Bottom Pivot



## Ordering Procedure

Cat. No.	Description
8000ADJ-NHO	Novas Adjustable Transom Closer Size 1 - 3 Non Hold Open 6
8000ADJ-90 HO	Novas Adjustable Transom Closer Size 1 - 3 90 Deg Hold Open 6
8000ADJ-105 HO	Novas Adjustable Transom Closer Size 1 - 3 105 Deg Hold Open 6

