



Aquileart[®]

Shareen Joel Furniture Collection



An ASSA ABLOY Group brand

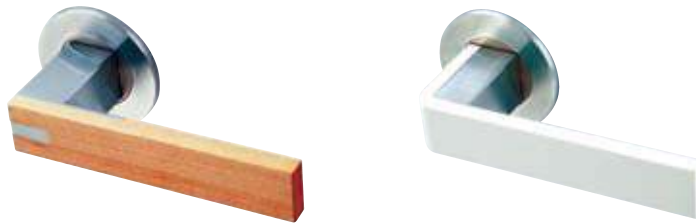
ASSA ABLOY



Shareen Joel

The Designer

Shareen Joel has over fifteen years of local and international experience in fully integrated design, having worked with organisations such as Ford Motor Company, Witchery, Country Road, Dulux, Dunlop Foams and Becton Corporation. Shareen is now considered to be a first point of contact for many organisations wanting to instill their products with innovative design without sacrificing commercial viability. For the past five years she has intensely focussed her energy on domestic and commercial interiors, as well as product design. She has a passion for refining detail, with the aim of making big differences.



"I believe that a good product can only be successful if it is appropriate to my client's philosophy and style rather than my own. I specialise in producing client-appropriate designs that sit quietly within their environment and lifestyle."

Shareen Joel

The Opportunity

It goes without saying that consumers are becoming more demanding and more design-conscious – even when products that have long been regarded as purely utilitarian items are concerned. Hence, there is a need for adept designers to respond to this change. Lever designs have traditionally been quite uninspired and most do not complement the cleaner lines, pleasing textures and use of integrated materials of modern interiors. Shareen quickly perceived the existence of this untapped market. She started to tinker with the idea of a series of levers that were elegantly designed – combining man-made material with natural timbers. A number of challenges were faced in coming up with the final design – for instance, ensuring that a lever made with a combination of timber and metal would be just as durable and easy to work with as a purely metal lever. The answer was to embrace simplicity.



The Solution

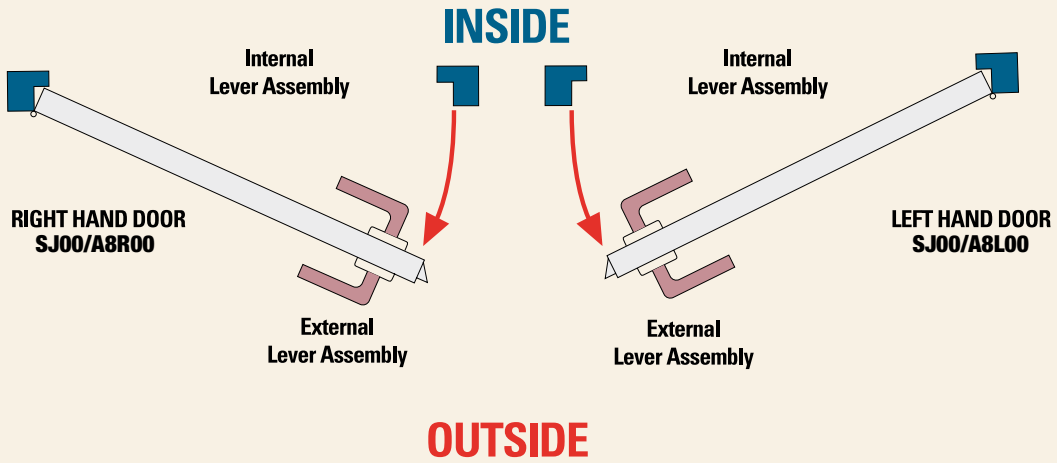
Introducing Shareen Joel's range of Aquileart® levers. With their clean lines, seamlessly integrated textures and materials, the levers that Shareen has created are intended to appeal to high end residential and commercial markets, where target customers appreciate a high level design aesthetic and tactile sensory combined with the latest in technology. Minimalist, without being uninviting – subtle, without being boring and streamlined, without losing richness – these are the trademarks of Shareen's levers.

Contents

Description	Page
Shareen Joel Profile	2
Handing	4
Ordering Procedures	5
Description	6
Application	6
Features and Specifications	6
Finishes	6
Australian Standards Conformance	6
Levers	7
Accessories	8
Finish Selection Guide	9
Link Products	10
Cleaning Information	10

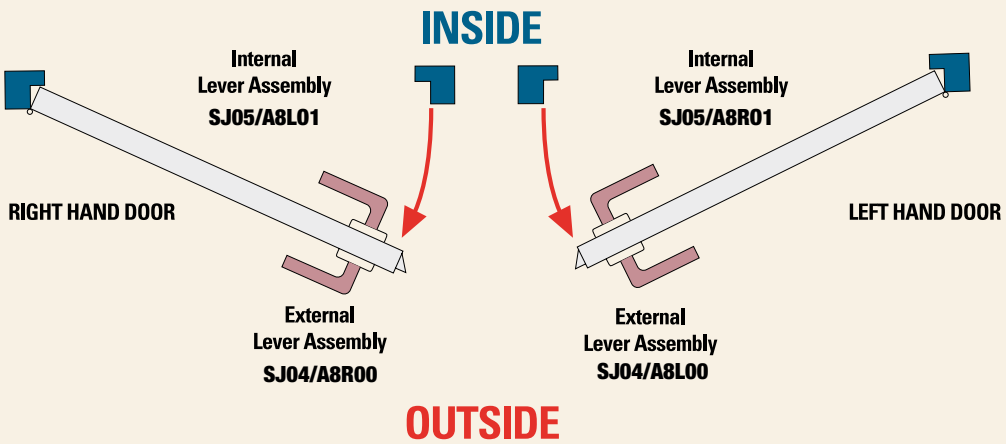
Handing

Shareen Joel Furniture – Full Set



Note: Handing of furniture is as indicated on diagram irrespective of whether door is opening in or out.

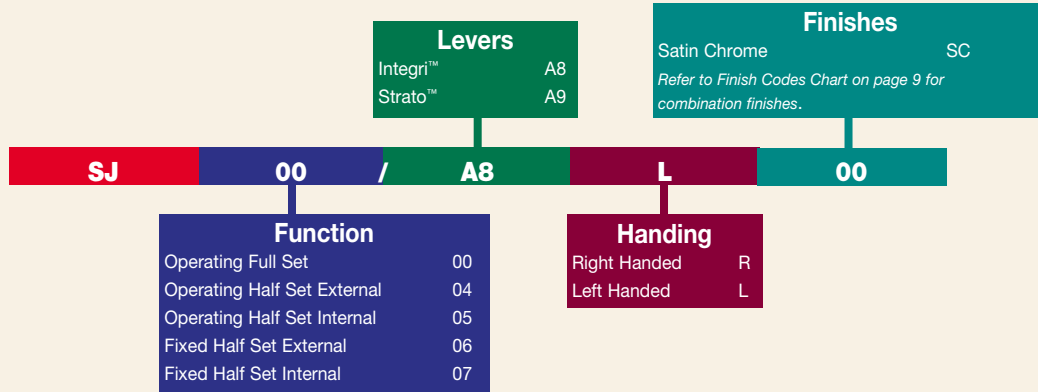
Shareen Joel Furniture – Half Set



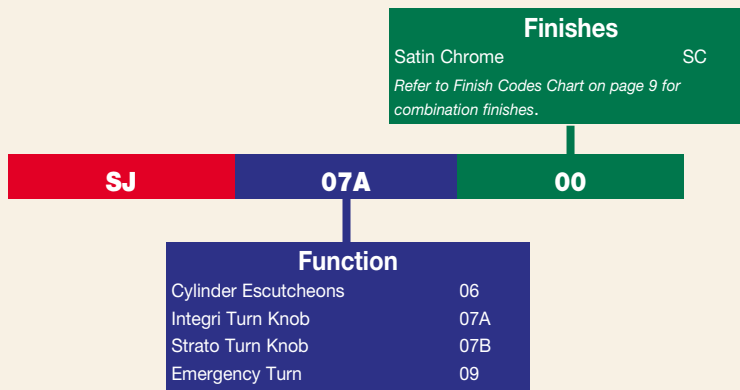
Note: Handing of furniture is as indicated on diagram irrespective of whether door is opening in or out.

Ordering Procedures

Lever Sets



Escutcheons and Turns



Aquileart® Shareen Joel Collection

Description

The stunning Aquileart® Shareen Joel Collection carries the hallmarks of ingenious design and epitomises style and sophistication. The sleek lines, smart look, creative and seamless integration of natural and man made materials and finishes add warmth and life to interiors.

Application

This range is suitable for commercial as well as residential use.

It can be fitted with:

- Lockwood Synergy 3570 Series Mortice Locks
- Lockwood A5250 latches

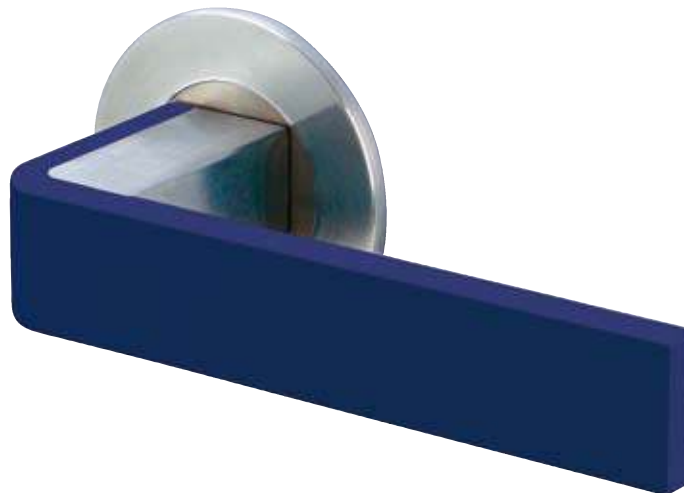
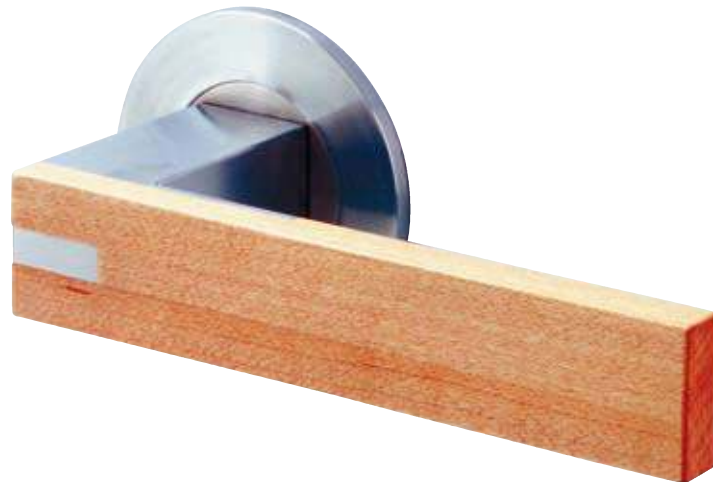
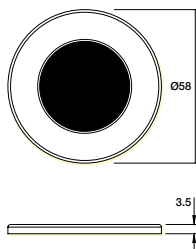
Features & Specifications

Materials

Timber, Brass, Stainless Steel

Dimensions

Outer rose diameter: 58 mm



Fixing

Through fixing from internal to external side of the door. Outer clip on roses conceal screw fixings.

Door Thickness

Minimum door thickness: 35 mm

Maximum door thickness: 45 mm

For doors 45 mm to 55 mm thick, specify long fixing screws SP2000-208.

Finishes

Satin Chrome	SC
Chrome Plate	CP
Powdercoat	PC
Beech Timber	BE
Maple Timber	MA

Refer to finish codes on page 9 for combination finishes.

Australian Standards Conformance

Fire-rated



The Lockwood Shareen Joel furniture range has been successfully fire-tested up to 4 hours in accordance with AS 1905.1:1997, Part 1: Fire Resistant Doorsets.

Note: Timber versions are not fire-rated.

S3 Highest Security



The Lockwood Shareen Joel furniture range conforms to level S3 (Physical Security) Australian Lock Standard (AS 4145.2: 1993).

D3 Durability



The Lockwood Shareen Joel furniture range conforms to level D3 (Durability) Australian Lock Standard (AS 4145.2: 1993).

Anti-Corrosion



The Lockwood Shareen Joel furniture range has been successfully corrosion tested in accordance with AS 2331.3.1-2001 Neutral Salt Spray Test (NSS Test).

Aquileart®

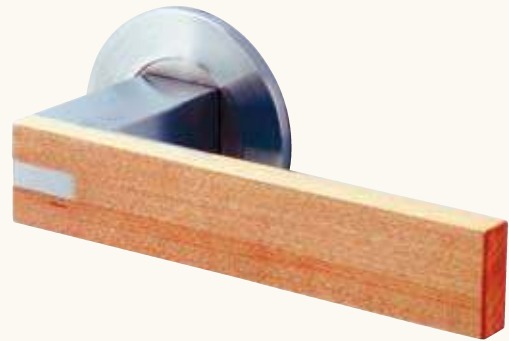
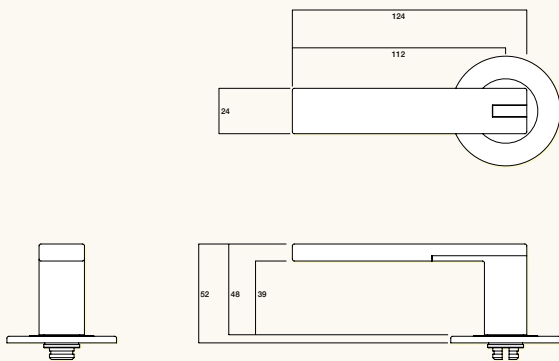
Aquileart® Shareen Joel Collection

Integri™ A8

Integri is at the pinnacle of chic door furniture designs with its clean lines, pleasant aesthetics and blend of natural timbers and metal finishes.

Dimensions:

Length:	124 mm
Projection:	52 mm
Finger Clearance:	43 mm



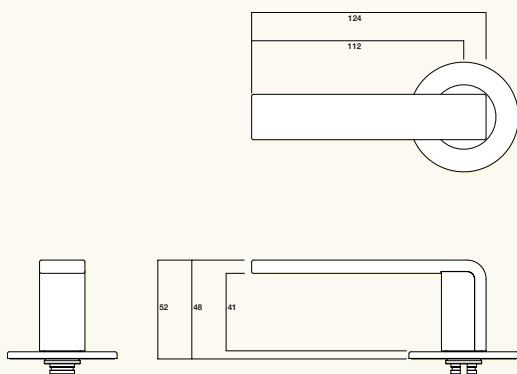
Note: Also available in full metal finish.

Strato™ A9

Subtle and sublime, Strato, is the result of integrating sharp lines with soft curves – a lever born to complement modern interiors.

Dimensions:

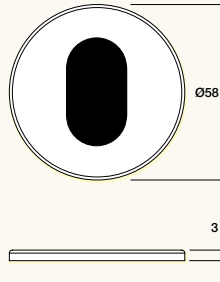
Length:	124 mm
Projection:	52 mm
Finger Clearance:	45 mm



Accessories

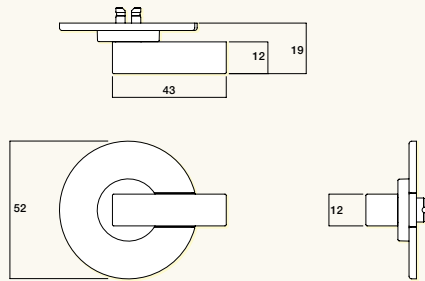
Cylinder Escutcheons SJ06

Suitable for use with Lockwood oval cylinders.



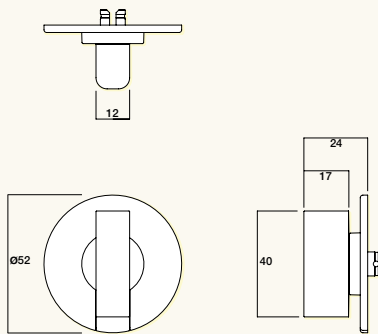
Turn Integri™ SJ07A

A turn designed to complement the Integri lever.



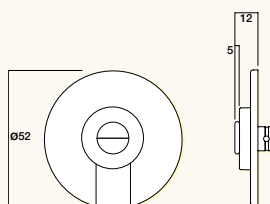
Turn Strato™ SJ07B

A turn designed to complement the Strato lever.



Emergency Turn SJ09

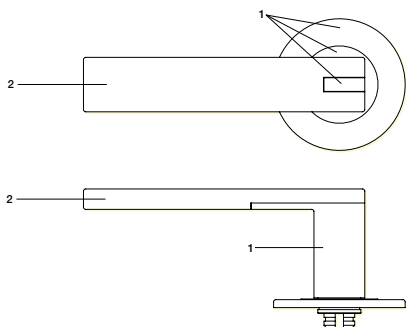
Slotted emergency turn suitable for use back to back with the Integri and Strato turns.



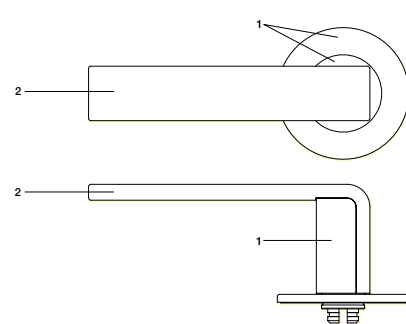
Finish Selection Guide

Levers

Integri Lever

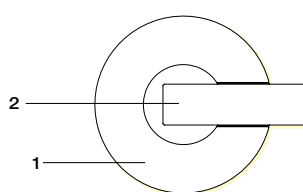


Strato Lever

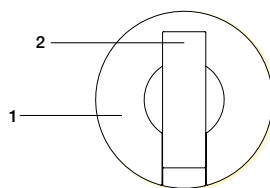


Turns

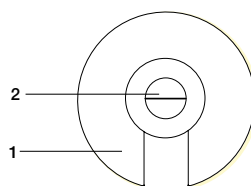
Turn Integri



Turn Strato



Emergency Turn



When selecting a colour option for Shareen Joel Furniture, please refer to the following code to establish your preferred finish selection.

	Rose/Stem	Lever/Turn
	1	2
00 -	SC	PC
03 -	SC	CP

Timber Finishes – Integri Lever Only

	Rose/Stem	Lever
	1	2
11 -	SC	BE
14 -	SC	MA

Timber Finishes



Beech



Maple

Powdercoat Swatches and Finishes



84763
Dulux Dune
Satin



88479
Dulux Jasper
Satin



32312
Dulux White Satin
Satin



19268
Dulux Black Satin
Satin



19959
Dulux Flame Red
Gloss



19990
Dulux Space Blue
Gloss

The colours represented on this chart are as close to the actual colours as modern printing processes allow.

Note: Consideration should be given to match Cylinder Finish.

Link Products

3570 Series Standard Backset



A5250 Latches



Specification Service

For all Architectural hardware specification assistance refer to your local ASSA ABLOY Sales Office.

A fully comprehensive, obligation free, Architectural Door Hardware specification can be prepared by Architectural Hardware Representatives.

Cleaning

Care should be taken during construction/ refurbishment to ensure that paint, thinners, mortar or cement splashes are carefully removed from locks, furniture and hardware. Removal of these splashes with strong cleaning agents or scourers should be avoided.

Dirt and grime should be regularly removed with a soft damp cloth. A solution of mild soap and water may be required. During cleaning, care should be taken to prevent cleaning solution from entering the cylinder keyway. Surfaces should be dried and possibly lubricated.

Lubrication

During assembly of the furniture, the areas of contact of the internal mechanism which require lubrication are given an application of high quality grease. Where an installation is exposed to temperature extremes, a dusty or dirty environment, or such that the original lubricant becomes contaminated resulting in unsatisfactory operation, then the mechanism should be cleaned with a non-corrosive solvent and re-lubricated.

Quality Endorsed Company



The Standards Association of Australia operates a program which assesses the quality procedures and capabilities of an organisation in terms of the requirements of specific Australian and International Standards for Supplier's Quality Systems.

Following assessment by the Standards Association of Australia, ASSA ABLOY Australia Pty Limited 50 Edward Street, Oakleigh VIC 3166 have been granted a certificate of registration as an approved supplier in the associations supplier Assessment Scheme to AS 3902/ISO 9001 - Quality Systems for Production and Installation.

Disclaimer

Whilst every effort has been made to ensure that the information contained in this catalogue is accurate at the time of publication, Lockwood recommends that you consult Lockwood or its agents prior to placing an order to ascertain current information on specific products, as Lockwood reserves the right to make changes without notice. Lockwood will not be liable for any injury, loss or damage whatsoever, arising from any errors or omissions in the information contained in the catalogue or arising from the use or application of the information contained herein. This catalogue does not constitute an offer for the sale of any particular product.

Visit us at: www.assaabloyasiapacific.com

ASSA ABLOY Sales Offices & Authorised Agents in Asia Pacific

Sales Offices - Australia

Victoria – Head Office

235 Huntingdale Road
Oakleigh VIC 3166
Telephone (03) 8574 3888
Facsimile (03) 8574 3788

Queensland South

450 Sherwood Road
Sherwood QLD 4075
Telephone (07) 3373 5200
Facsimile (07) 3373 5256

Queensland North

Ralph Buck Agencies
15 Mackley Street
Garbutt QLD 4814
Telephone (07) 4779 0177
Facsimile (07) 4775 1480

New South Wales – Commercial

Unit 1/16 Atkinson Road
Taren Point NSW 2229
Telephone (02) 8543 3700
Facsimile (02) 9531 7944

New South Wales – Residential

Unit 8/20-22 Foundry Road
Seven Hills NSW 2147
Telephone (02) 9624 2666
Facsimile (02) 9620 9340

New South Wales – Abloy

5/372 Eastern Valley Way
Chatswood NSW 2067
Telephone (02) 9882 6066

South Australia

182 Magill Road
Norwood SA 5067
Telephone (08) 8139 0401
Facsimile (08) 8364 1975

Western Australia

37-45 Gladstone Street
Perth WA 6000
Telephone (08) 9227 9588
Facsimile (08) 9227 8913

Tasmania

23 Antill Street
South Hobart TAS 7000
Telephone (03) 6223 5404
Facsimile (03) 6224 0435

Sales Offices - New Zealand

Auckland – Residential

6 Armstrong Road
North Harbour Industrial Estate
Albany, Auckland, New Zealand
Telephone +64 (0)9 415 7111
Facsimile +64 (0)9 415 7222

Auckland – Sales Office

10 Haultain Street
Eden Terrace
Auckland, New Zealand
Telephone +64 (0)9 634 5590
Facsimile +64 (0)9 634 5589

Christchurch – Sales Office

112 Wordsworth Street
Sydenham
Christchurch, New Zealand
Telephone +64 (0)3 379 4810
Facsimile +64 (0)3 379 4819

Wellington

Display Centre, Level 3,
10 Hutt Road, Petone
Wellington, New Zealand
Telephone +64 (0)4 913 4214
Facsimile +64 (0)4 913 4213

Manufacturing Plants

Victoria

235 Huntingdale Road
Oakleigh VIC 3166
Telephone (03) 8574 3888
Facsimile (03) 8574 3788

Queensland

450 Sherwood Road
Sherwood QLD 4075
Telephone (07) 3373 5200
Facsimile (07) 3373 5256

New Zealand

6 Armstrong Road
North Harbour Industrial Estate
Albany, Auckland, New Zealand
Telephone +64 (0)9 415 7111
Facsimile +64 (0)9 415 7222

Security Merchants Australia

Unit 144/45 Gilby Road
Axxess Business Park
Mount Waverley, Victoria 3149
Telephone +61 (0)3 9558 8455
Facsimile +61 (0)3 9558 8466

Security Merchants New Zealand

8-10 Haultain Street
Eden Terrace
Auckland, New Zealand
Telephone +64 (0)9 355 9240
Facsimile +64 (0)9 307 1752

Export Department

235 Huntingdale Road
Oakleigh VIC 3166 Australia
Telephone +61 (0)3 8574 3888
Facsimile +61 (0)3 8574 3789

Asian Offices

ASSA ABLOY – Malaysia

ASSA ABLOY – Singapore

ASSA ABLOY – Thailand

ASSA ABLOY – Hong Kong

ASSA ABLOY – Shanghai

ASSA ABLOY – Beijing

ASSA ABLOY – Korea

ASSA ABLOY – India

Contact the Export Department,
Australia for details.

Worldwide Distributors

Contact the Export Department,
Australia for details.



ASSA ABLOY

Lockwood Guarantee

ASSA ABLOY Australia Pty Limited ("ASSA ABLOY") warrants its Lockwood products against defects in workmanship and materials, subject to the limitations and exclusions set out in this Warranty. If, within the normal working life of a product, it is found to be defective, and none of the limitations and exclusions set out in this Guarantee apply, ASSA ABLOY will supply the same or equivalent product free of charge. This is the only remedy granted by ASSA ABLOY under this Guarantee.

Limitations

All electrical and electronic components used in ASSA ABLOY's Lockwood range of products (excluding batteries) are guaranteed for a period of 12 months from the date of proof of purchase, unless stated otherwise.

Exclusions

This Guarantee does not cover:

1. Damage to or malfunction or failure of the Lockwood product caused or contributed to by:
 - (a) improper installation or failure to follow fitting instructions;
 - (b) improper maintenance;
 - (c) fair wear and tear;
 - (d) any modification or repair which has not been authorized by ASSA ABLOY;
 - (e) use of substitute or replacement parts or cylinders other than genuine ASSA ABLOY parts or cylinders; or
 - (f) use of batteries other than those specified by ASSA ABLOY.

2. The cost of:
 - (a) removal and/or replacement of the Lockwood product;
 - (b) freight and/or travelling time;
 - (c) replacement batteries; or
 - (d) any modification or repairs to a Lockwood product, unless authorised by ASSA ABLOY.
3. Damage to or deterioration of the plated finishes Florentine Bronze, Architectural Bronze, Polished Brass, Gold and Satin Brass, which are classified as soft finishes, and are subject to deterioration under some environmental conditions.
4. Personal injury, property damage or economic loss, however caused.

Symmetry® 5 Year Finish Guarantee

ASSA ABLOY Australia Pty Limited will replace five-year branded Symmetry product if within five years from the proven date of purchase it tarnishes, discolours or corrodes when properly installed and subject to no more than fair wear and tear.

Symmetry® Everbrass® Guarantee

Everbrass® product is coated both on the exterior and interior surfaces with a lifetime anti-tarnish finish. ASSA ABLOY Australia Pty Limited will replace Everbrass® branded product if it corrodes, tarnishes or discolours when properly installed and subject to no more than fair wear and tear.

This Guarantee is in addition to and not in substitution for any rights of the purchaser under the Trade Practices Act and state or territory legislation.